



ENS160

Digital Metal-Oxide Multi-Gas Sensor

ENS160 datasheet

Version 1.1

Release Date: 2022-03-30

Document Status: Production

The ENS160 is a digital multi-gas sensor solution, based on metal oxide (MOX) technology with four sensor elements.

The independent hotplate control allows the detection of a wide range of volatile organic compounds (VOCs) including ethanol, toluene, hydrogen and oxidizing gases with superior sensitivity. The ENS160 supports intelligent algorithms to process raw sensor measurements on-chip. These algorithms calculate CO₂-equivalents, TVOC, air quality indices (AQIs) and perform humidity and temperature compensation, as well as baseline management, all on chip.

Raw sensor measurements can be read for further customization. The LGA-packaged device includes SPI and I²C slave interfaces to communicate with a main host processor.

The ENS160 is a proven and maintenance-free technology, designed for high volume and reliability.

Key Features & Benefits

TrueVOC[®] air quality detection with industry-leading purity and stability, providing outputs such as eCO₂¹, TVOC and AQI² in compliance with worldwide IAQ³ standards.

Independent sensor heater control for highest VOC selectivity and outstanding background discrimination.

Immunity to humidity and ozone

- Superior output stability over the whole T and RH operating ranges⁴
- Effective ozone compensation

Hassle-free on-chip heater drive control and data processing - no need for external libraries - no impact on MCU performance.

Wide operating ranges

- temperature: -40 to +85° C
- humidity: 5 to 95%⁵
- V_{DD}: 1.71 to 1.98V; V_{DDIO} 1.71 to 3.6V

¹ eCO₂ = equivalent CO₂ values for compatibility with HVAC ventilation standards

² AQI = Air Quality Index

³ IAQ = Indoor Air Quality

⁴ Further improved by compensation through external T/RH input.

Applications

- Building Automation / smart home / HVAC⁶
 - Indoor air quality detection
 - Demand-controlled ventilation
 - Smart thermostats
- Home appliances
 - Cooker hoods
 - Air cleaners / purifiers
- IoT devices

Properties

- Small 3x3x0.9mm LGA package
- Standard, fast and fast mode plus I²C and SPI interfaces with separate V_{DDIO} up to 3.6V
- T&R packaged, reflow solderable⁷.

⁵ Non-condensing.

⁶ HVAC = Heat, Ventilation and Air Conditioning

⁷ See section “Soldering Information” for further details.

Table of Contents

Key Features & Benefits	2
Applications	2
Properties	2
Table of Contents	3
1 Block diagram	4
2 Pin assignment	5
3 Absolute maximum ratings	6
4 Electrical characteristics	7
5 Air Quality signal characteristics	8
5.1 TVOC - Total Volatile Organic Compounds	8
5.2 eCO ₂ - Equivalent CO ₂	8
5.3 AQI-UBA - UBA Air Quality Index.....	11
6 Single gas signal characteristics	12
7 Gas sensor raw resistance signals	13
8 Signal conditioning	13
8.1 Baselineing	13
8.2 Humidity compensation.....	14
8.3 Ozone compensation	14
9 Output signal accuracy	14
10 Start-Up and Response times	15
10.1 Initial Start-Up	15
10.2 Warm-Up.....	16
11 Gas sensor status and signal rating ..	16
12 Recommended sensor operation	16
13 Recommended sensor storage conditions	17
14 Host communication	17
14.1 I2C specification	17
14.1.1 I2C description	17
14.1.2 I2C I/O and timing information ...	18
14.1.3 I2C read operation	20
14.1.4 I2C write operation	21
14.2 SPI specification	21
14.2.1 SPI description.....	21
14.2.2 SPI timing information	22
14.2.3 SPI read operation	23
14.2.4 SPI write operation	23
15 Operation	24
16 Registers	24
16.1 Register overview	24
16.2 Detailed register description	26
16.2.1 PART_ID (Address 0x00)	26
16.2.2 OPMODE (Address 0x10)	26
16.2.3 CONFIG (Address 0x11)	26
16.2.4 COMMAND (Address 0x12)	27
16.2.5 TEMP_IN (Address 0x13)	28
16.2.6 RH_IN (Address 0x15)	29
16.2.7 DEVICE_STATUS (Address 0x20) ...	29
16.2.8 DATA_AQI (Address 0x21)	30
16.2.9 DATA_TVOC (Address 0x22).....	31
16.2.10 DATA_ECO ₂ (Address 0x24)	31
16.2.11 DATA_ETOH (Address 0x22).....	31
16.2.12 DATA_T (Address 0x30).....	32
16.2.13 DATA_RH (Address 0x32)	32
16.2.14 DATA_MISR (Address 0x38)	33
16.2.15 GPR_WRITE (Address 0x40)	34
16.2.16 GPR_READ (Address 0x48).....	35
17 Application information	36
17.1 I2C operation circuitry	36
17.2 SPI operation circuitry	37
18 Soldering information	38
19 Package drawings & markings	39
20 Ordering information	41
21 RoHS Compliance & ScioSense Green Statement	42
22 Copyrights & Disclaimer	42
23 Document status	43
24 Revision information	43

1 Block diagram

The ENS160 digital multi-gas sensor consists of four independent heaters and gas sensor elements, based on metal oxide (MOX) technology, and a controller as shown in the functional block diagram below.

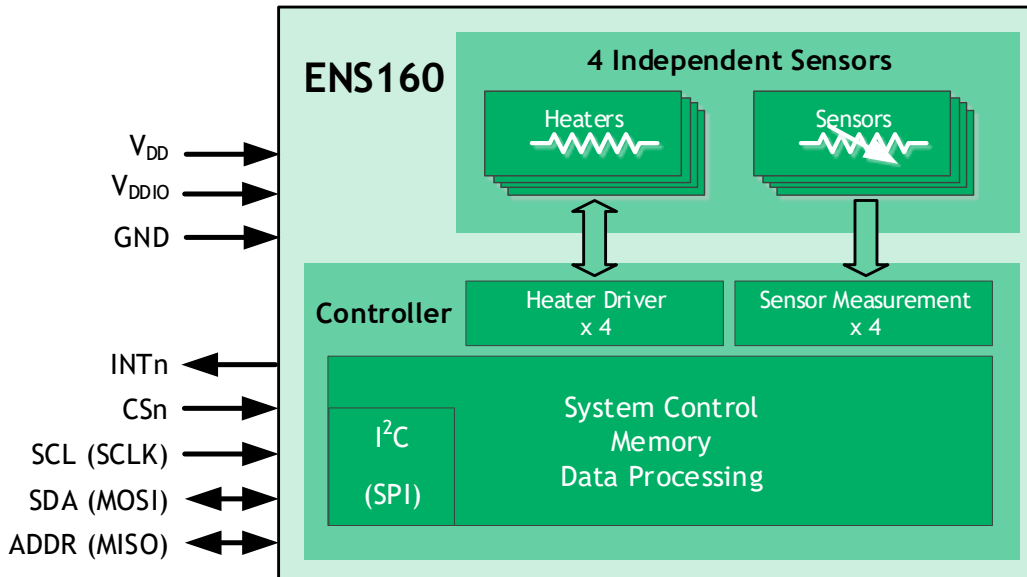


Figure 1: Functional Blocks

The *Heater Driver* controls the sensor operating modes and provides power to the *heaters* of each individual sensor element. During operation, the heater driver regulates the heaters to their individual set-points.

The *Sensor Measurement* block determines the value of the sensor resistance for each individual sensor element.

The *System Control* block processes the resistance values internally to output calculated TVOC, CO₂-equivalents, AQIs and further signals on the digital interface.

The ENS160 includes a standard 2-wire digital *I²C interface* (SCL, SDA) or 4-wire digital *SPI interface* (SCLK, MOSI, MISO, CSn) for communication to the main host processor.

On-chip memory is used to store calibration values.

2 Pin assignment

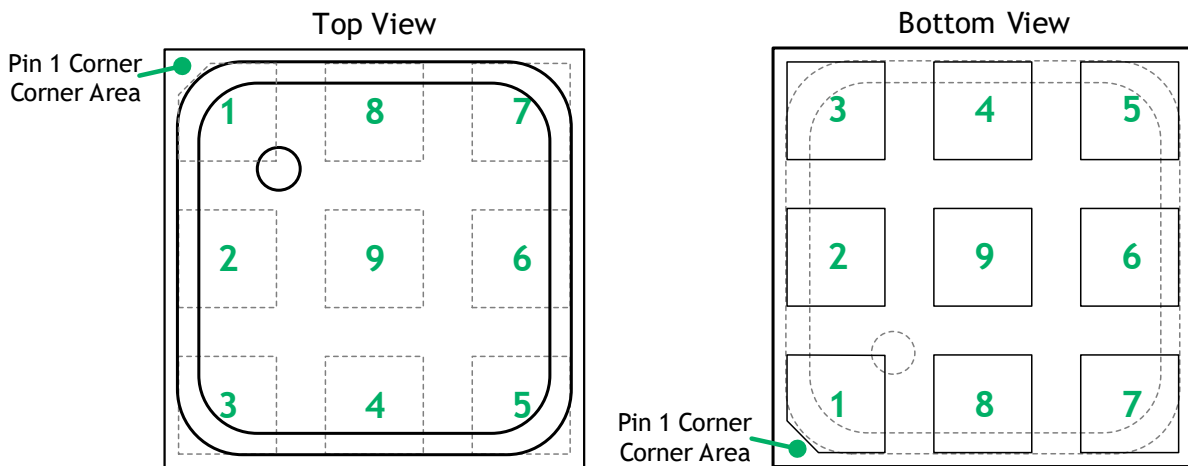


Figure 2: Pin diagram

Table 1: Pin description

Pins	Pin Name	Pin Type	Description
1	MOSI / SDA	Input / Output	SPI Master Output Slave Input / I ² C Bus Bi-Directional Data
2	SCLK / SCL	Input	SPI Serial Clock / I ² C Bus Serial Clock Input
3	MISO / ADDR	Input / Output	SPI Master Input Slave Output / I ² C Address Select: I ² C ADDR pin high -> 0x53 / ADDR pin low -> 0x52
4	V _{DD}	Supply	Main Supply Voltage
5	V _{DDIO}	Supply	Interface Supply Pins
6	INTn	Output	Interrupt to Host
7	CSn	Input	SPI Interface Select (CSn low -> SPI / CSn high -> I ² C)
8, 9	V _{SS}	Supply	Ground Supply Voltage

Also see sections “[I2C operation circuitry](#)” and “[SPI operation circuitry](#)” for wiring.

3 Absolute maximum ratings

Table 2: Absolute Maximum Ratings

Symbol	Parameter	Min	Max	Units	Comments
Electrical Parameters					
V _{DD}	Supply Voltage	-0.3	1.98	V	
V _{DDIO}	I/O Interface Supply	-0.3	3.6	V	
V _{IO1}	MOSI/SDA, SCLK/SCL	-0.3	3.6	V	
V _{IO2}	MISO/ADDR, INT _n , CS _n	-0.3	V _{DDIO} +0.3	V	
V _{SS}	Input Ground	-0.3	0.3	V	
I _{SCR}	Input Current (latch-up immunity)	± 100		mA	AEC-Q100-004
Electrostatic Discharge					
ESD _{HBM}	Electrostatic Discharge HBM	± 2000		V	JS-001-2014
ESD _{CDM}	Electrostatic Discharge CDM	± 750		V	JS-002-2014
Operating and Storage Conditions					
MSL	Moisture Sensitivity Level		1		Unlimited floor lifetime
T _{BODY}	Max. Package Body Temperature		260	°C	IPC/JEDEC J-STD-020
T _{STRG}	Storage Temperature	-40	125	°C	
RH _{STRG}	Storage Relative Humidity	5	95	%	Non-condensing
T _{AMB} ⁸	Operating Ambient Temperature	-40	85	°C	
RH _{AMB} ¹	Operating Ambient Rel. Humidity	5	95	%	Non-condensing

Stresses beyond those listed under Absolute Maximum Ratings may cause permanent damage to the device. These are stress ratings only. Functional operation of the device at these or any other conditions beyond those indicated under Electrical Characteristics is not implied. Exposure to absolute maximum rating conditions for extended periods may affect device reliability and lifetime.

Note: The ENS160 is not designed for use in safety-critical or life-protecting applications.

⁸ The ENS160 is electrically operable in this range, however its gas sensing performance might vary. Please refer to “Recommended Sensor Operation” for further information.

4 Electrical characteristics

The following figure details the electrical characteristics of the ENS160.

Table 3: Electrical characteristics

Symbol	Parameter	Conditions	Min	Typ	Max	Unit
V _{DD}	Positive supply		1.71 ⁹	1.8	1.98	V
V _{DDIO}	IO Supply Voltage		1.71		3.6	V
I _{DD}	Average ¹⁰ Supply Current ¹¹	DEEPSLEEP (OP_MODE 0x00) ¹²		0.01		mA
		IDLE (OP_MODE 0x01) ¹¹		2	2.5	mA
		STANDARD (OP_MODE 0x02)		29		mA
I _{DD_PK}	Peak Supply Current ¹³	STANDARD (OP_MODE 0x02)		79 (<5ms)		mA
V _{IH}	High-level input voltage		0.7xV _{DDIO}			V
V _{IL}	Low-level input voltage				0.3xV _{DDIO}	V
V _{OH}	High-level output voltage	MISO ¹⁴ [I _{OH} =5mA]	0.8xV _{DDIO}			V
		INTN [I _{OH} =2mA]	0.65xV _{DDIO}			V
V _{OL}	Low-level output voltage	MOSI/SDA, MISO [I _{OL} =5mA]			0.2xV _{DDIO}	V
		INTN [I _{OL} =2mA]			0.35xV _{DDIO}	V

⁹ The minimum supply voltage V_{DD} is 1.71V and must not drop below this value. Please refer to the recommended "I2C- or SPI-Operation Circuitry" in section 17.

¹⁰ Averaged over the sequence

¹¹ Measured at V_{DD}-pin at ambient temperature of 35 °C

¹² Not a gas sensing mode

¹³ Initial (<5ms) current demand from V_{DD} after the sensor is switched from IDLE (OP-Mode 1) to STANDARD operation (OP_MODE 2)

¹⁴ MOSI/SDA is open drain

5 Air Quality signal characteristics

To satisfy a wide range of individual application requirements, the ENS160 offers a series of (indoor) air quality output signals that are derived from various international, as well as de-facto industry standards. [Table 4](#) provides a summary of such signals, that are further described in the following sections.

Table 4: Air Quality signal output characteristics

Parameter	Range	Resolution	Unit	Comment
TVOC	0 – 65,000	1	ppb	For requirements outside these specified ranges please contact us
eCO ₂	400 – 65,000	1	ppm CO ₂ -equiv.	
AQI-UBA ¹⁵	1 to 5	1	-	

5.1 TVOC - Total Volatile Organic Compounds

More than 5000 VOCs exist, and they are two to five times more likely to be found indoors than outdoors. Indoor VOCs are various types of hydrocarbons from mainly two sources: bio-effluents, i.e. odors from human respiration, transpiration and metabolism, and building material including furniture and household supplies. VOCs are known to cause eye irritation, headache, drowsiness or even dizziness - all summarized under the term Sick Building Syndrome (SBS). Besides industrial applications, comfort aspects (e.g. temperature), or building protection (humidity), VOCs are the main reason for ventilation.

Please refer to white paper “Intelligent Air Quality Beyond CO₂ for Indoor Air Quality” for further information on VOCs.

To group and classify VOCs, regional guidelines and industry preferences define a series of compounds and mixtures as reference, e.g. ethanol, toluene, acetone, combinations of the various groups of VOCs (e.g. ISO16000-29), and others.

Refer to “[Registers](#)” and “[DATA_TVOC \(Address 0x22\)](#)” on how to obtain TVOC values from the ENS160.

5.2 eCO₂ - Equivalent CO₂

Due to the proportionality between VOCs and -CO₂ generated by humans, CO₂-values historically served as an air quality indicator, reflecting the total amount of VOCs (=TVOC) produced by human respiration and transpiration. This law (first revealed by Max von Pettenkofer¹⁶ in the 19th century) and the unavailability of suitable VOC measurement technology made CO₂ the surrogate of inhabitant-generated air-pollution in confined living spaces of the past *and* the present, i.e. today’s

¹⁵ Classified TVOC output signal according to the indoor air quality levels by the German Federal Environmental Agency (UBA, 2007)

¹⁶ Max von Pettenkofer (*1818 - †1901), German chemist and hygienist.

standard air quality reference for demand-controlled ventilation - as adopted by most HVAC industry standards.

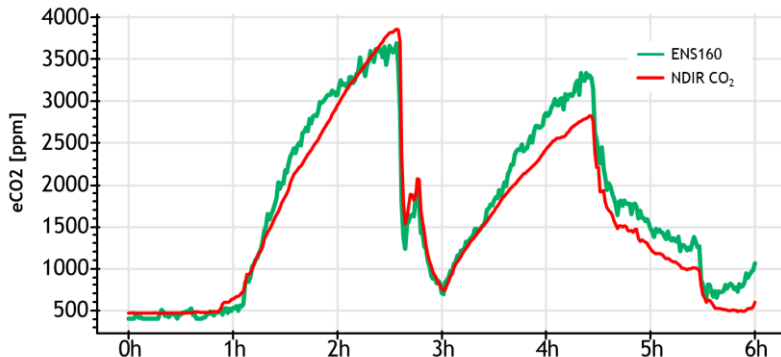


Figure 3: ENS160 equivalent CO₂ (eCO₂) output vs. NDIR CO₂ output during two meeting sessions

The ENS160 reverses the proportional correlation of VOCs and CO₂, by providing a standardized output signal in ppmCO₂-equivalents from measured VOCs plus hydrogen, thereby adhering to today’s CO₂ standards, as shown in Figure 3.

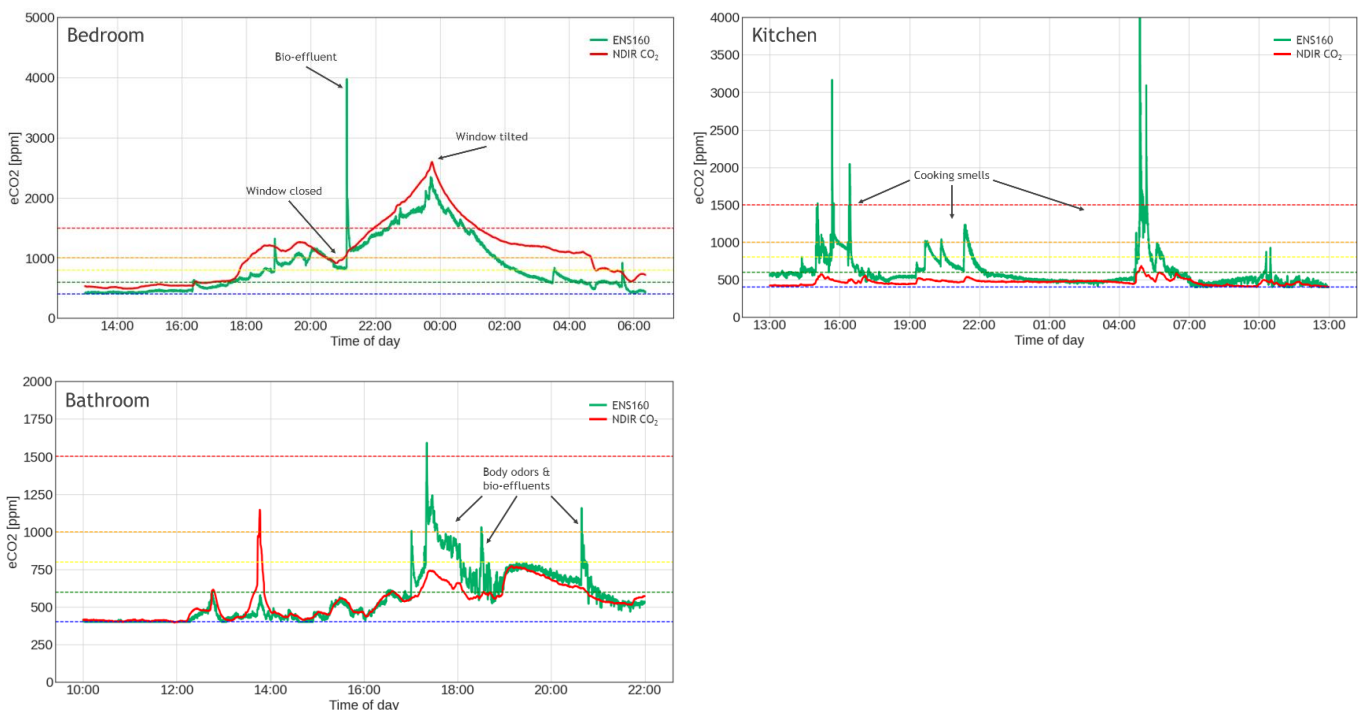


Figure 4: Added value of ENS160’s eCO₂ outputs and typical cases of pure CO₂ sensors failing.

A key advantage of the ENS160 is the capture of odors and bio-effluents that are completely invisible to CO₂-sensors. The diagrams in Figure 4 compare the ENS160’s equivalent CO₂ output to an NDIR CO₂ sensor in typical indoor applications.

CO₂ sensors neither detect unpleasant odors and bio-effluents in bedroom or bathroom environments, nor cooking smells in kitchens or restaurants, whereas the ENS160 reliably reports such events.

Proven TrueVOC® control algorithms minimize sensor drift and ageing to provide reliable readings over lifetime, thereby making the ENS160’s equivalent CO₂ output an affordable solution to complement or substitute real CO₂-based air quality sensors in the HVAC domain.

Table 5 shows a typical classification of (equivalent) CO₂ output levels.

Table 5: Interpretation of CO₂ and Equivalent CO₂ values

Output		Comment / Recommendation
eCO ₂ / CO ₂	Rating	
>1500	Bad	Heavily contaminated indoor air / Ventilation required
1000 - 1500	Poor	Contaminated indoor air / Ventilation recommended
800 - 1000	Fair	Optional ventilation
600 - 800	Good	Average
400 - 600	Excellent	Target

Example: A CO₂- or eCO₂-controlled ventilation application would invoke its ventilation fan speeds 1, 2 and 3 at the upper three levels “Fair”, “Poor” and “Bad”, respectively.

See section “Registers” and “DATA_ECO2 (Address 0x24)” on how to obtain equivalent CO₂-values from the ENS160.

5.3 AQI-UBA - UBA Air Quality Index

The AQI-UBA¹⁷ air quality index is derived from a guideline by the German Federal Environmental Agency based on a TVOC sum signal. Although a local, German guideline, it is referenced and adopted by many countries and organizations.

Table 6: Air Quality Index of the UBA (German Federal Environmental Agency)¹⁸

AQI-UBA		Hygienic Rating	Recommendation	Exposure Limit
#	Rating			
5	Unhealthy	Situation not acceptable	Use only if unavoidable Intensified ventilation recommended	Hours
4	Poor	Major objections	Intensified ventilation recommended Search for sources	<1 month
3	Moderate	Some objections	Increased ventilation recommended Search for sources	<12 months
2	Good	No relevant objections	Sufficient ventilation recommended	No limit
1	Excellent	No objections	Target	No limit

See section “Registers” and “DATA_AQI (Address 0x21)” on how to obtain AQI values from the ENS160.

¹⁷ UBA = Umweltbundesamt - German Federal Environmental Agency

¹⁸ Recommendation according to the UBA, Bundesgesundheitsblatt - Gesundheitsforschung Gesundheitsschutz 2007, 50:990-1005, DOI 10.1007/s00103-007-0290-y © Springer Medizin Verlag 2007

6 Single gas signal characteristics

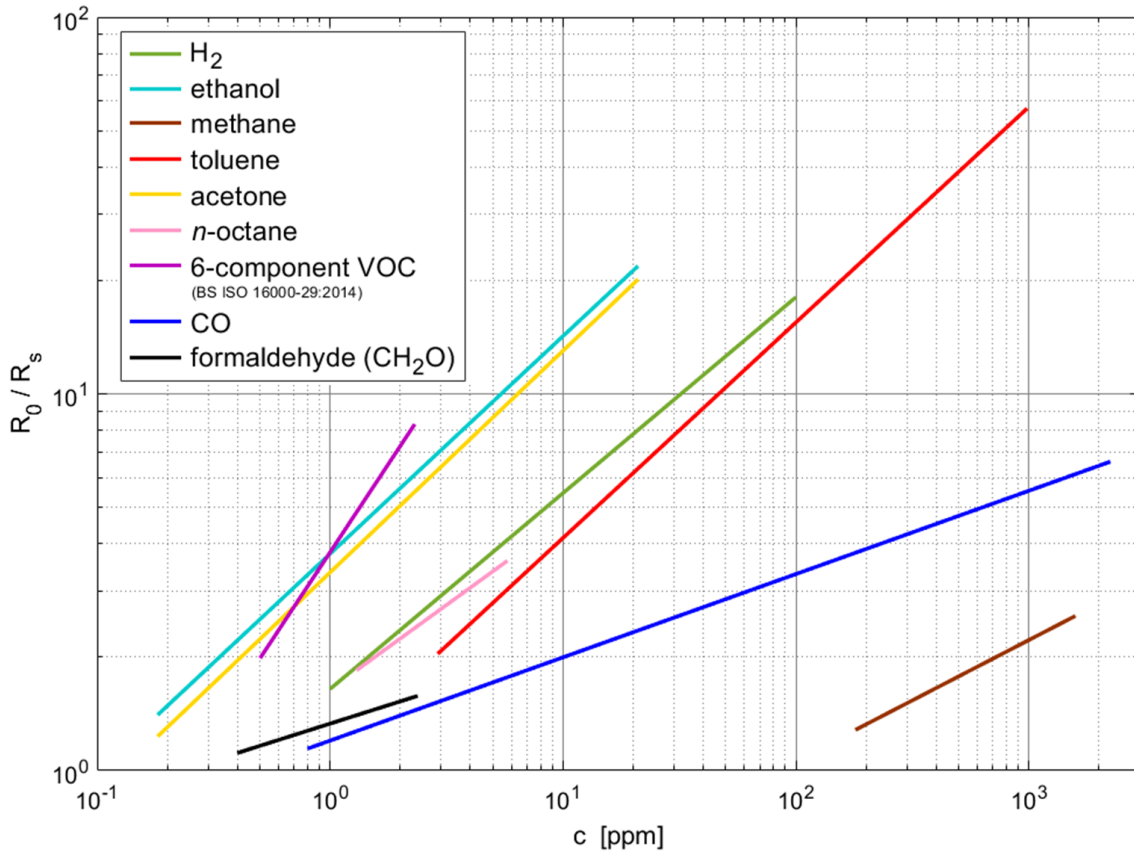


Figure 5: Harmonized, typical response of the ENS160 to various gases

Since metal oxide sensors exhibit a broadband sensitivity to both, reducing and oxidizing gases, their raw output signals represent the resulting sum of the entire gas mixture, present. Such sum-signals are beneficial when it comes to wideband TVOC- or AQI-applications, but unsatisfactory for the detection of single gases.

Figure 5 shows the response of the ENS160 to a variety of individual gases that can be found indoors.

Table 7 provides a list of selected gases that have been individually characterized.

Table 7: Single Gas Signal Characteristics

Target Gas	Specified Range	Measurement Range	Unit	Register	Comment
Ethanol	0 to 20	0 to 450	ppm	DATA_ETOH (0x22) = DATA_TVOC	Dedicated Register
Hydrogen	0 to 100	0 to 1,000	ppm	R _{raw} = GPR_READ[6:7]	R _{raw} = raw resistance values that need to be calibrated to target gas. See text below.
Acetone	0 to 20	0 to 450	ppm	R _{raw} = GPR_READ[6:7]	
Carbon Monoxide	0 to 900	0 to 900	ppm	R _{raw} = GPR_READ[6:7]	
Toluene	0 to 450	0 to 450	ppm	R _{raw} = GPR_READ[6:7]	

Measurement values for individual gases can be obtained from dedicated device registers or calculated from sensor raw resistance values as specified in above table. See sections “Registers” and “Gas sensor raw resistance signals” for further information.

7 Gas sensor raw resistance signals

For two of its sensing elements the ENS160 provides individual outputs of raw sensor values.

Table 8: Gas sensor raw resistance signals

Sensor	Raw Value	Range	Unit	Gen. Purpose Register	Comment
1	R1 _{raw}	[0..65535]	-	GPR_READ[0:1]	Arbitrary logarithmic units - no resistance values.
4	R4 _{raw}	[0..65535]	-	GPR_READ[6:7]	R _{raw} require conversion to corresponding resistance value R _{ires} [Ω] (see below)

Gas sensor raw values R_{raw} can be obtained from the ENS160 General Purpose Read Register (GPR_READ) for customer-specific signal post-processing.

Prior to use, R_{raw} values require conversion to resistance values, using the following formula:

$$R_{ires}[\Omega] = 2^{\frac{R_{raw}}{2048}}$$

See section “Registers” and “GPR_READ (Address 0x48)” on how to obtain AQI values from the ENS160.

8 Signal conditioning

Chemical gas sensors are relative sensors that are susceptible to changes in their chemical and physical environments. Typical drivers are changes of the target gas(es), of the interfering background gas mixture and changes of the physical environment (air pressure, humidity, etc.).

In the following sections TrueVOC® signal conditioning technology comes into play for enhanced output signal ruggedness and resilience.

8.1 Baseline

As part of the TrueVOC® technology the ENS160 deploys a unique automatic baseline correction, featuring compensation for oxidizing gases such as ozone.

It furthermore stores the current baseline value in non-volatile memory to automatically start from the latest valid level of background air after re-powering the device and even after a power outage.

8.2 Humidity compensation

Extreme humidity conditions outside this range (20% - 80%RH) can influence the output signal, especially when very accurate or single gas measurements are required. To overcome such impacts, the ENS160 is equipped with a temperature and humidity compensation algorithm, relying on data from an external temperature- and humidity-sensor (the ENS160 works well with the SciSense ENS21x family of temperature and humidity sensors as they both share the same data format), that can be regularly updated to an internal register for processing.

Note: The humidity compensation discussed in this section works per default for all output signals except for sensor raw signals.

See sections “Registers”, “TEMP_IN (Address 0x13)” and “RH_IN (Address 0x15)” for further information.

8.3 Ozone compensation

Backed up by its multi-sensor architecture, the ENS160 TrueVOC® technology deploys an effective ozone compensation algorithm to maintain solid eCO₂-, TVOC- and AQI-output signals, even during extreme or enduring summer ozone events.

For further background see application note “Effective Ozone Compensation of ENS160's eCO₂, TVOC and AQI Outputs”.

9 Output signal accuracy

The ENS160 exhibits an excellent measurement accuracy¹⁹ and device-to-device variation.

Figure 6 shows the non-linearity of several devices (left) and typical and maximum accuracies (bottom) for various hydrogen concentrations²⁰. A typical error of <12% of the measured value can be stated.

¹⁹ All values have been determined by tests in clean, partially synthetic air in a climate chamber-with stated environmental conditions, suitable reference analytics and sensor preconditioning of at least 24h, which may not reflect real-life environments. Unless otherwise noted, the accuracy statements have been carried out at 25 °C and 50% relative humidity, applying a MOX-sensor-specific calibration scheme.

²⁰ In this document use of the term “Concentration” in ppm (= parts per million) and ppb (= parts per billion) means volume fractions of the respective gases in air: 1 ppm = 1 mL/m³ = 1000 ppb = 1000 µL/m³.

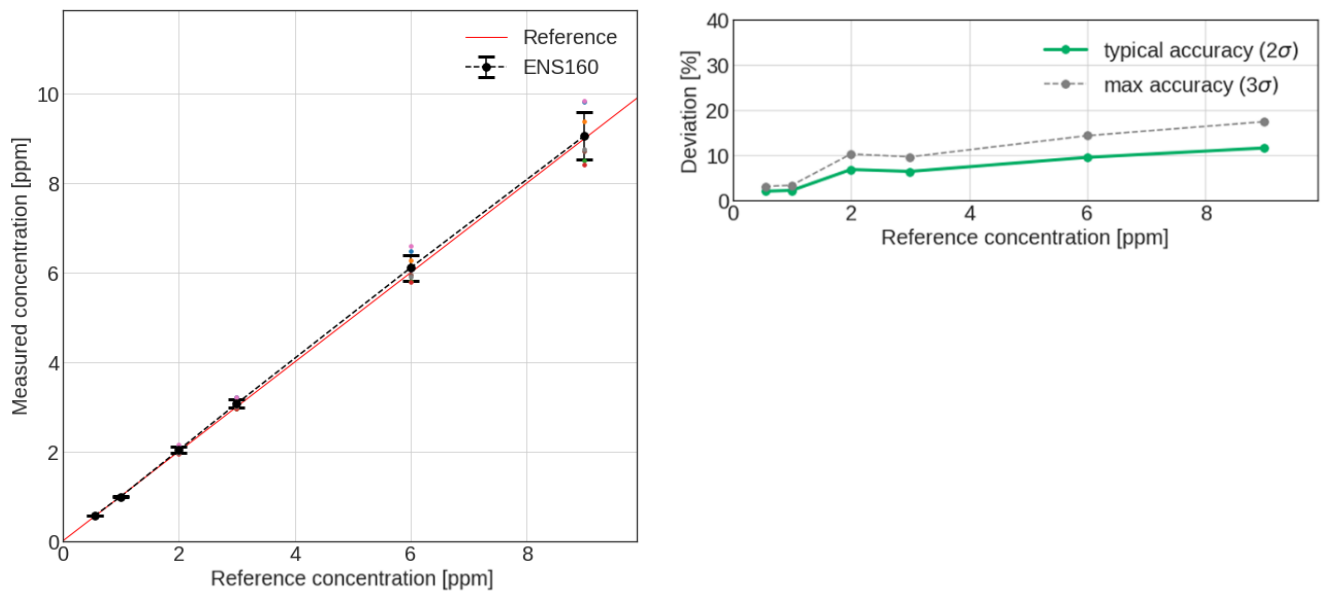


Figure 6: Example output signal accuracy for hydrogen

10 Start-Up and Response times

Table 9: Initial Start-up and Warm-up times

Parameter	Maximum Time	Comment
Initial Start-up	1 hour	See below for further details
Warm-up	3 minutes	
Immediate response (T_{63}) ²¹	1 second	-

10.1 Initial Start-Up

Initial Start-Up is the time the ENS160 needs to exhibit reasonable air quality readings after its first ever power-on.

The ENS160 sensor raw resistance signals and sensitivities will change upon first power-on. The change in resistance is greatest in the first 48 hours of operation. Therefore, the ENS160 employs a start-up algorithm, allowing eCO₂, TVOC and AQI output signals to be used from first power-on after 1 hour of operation²².

²¹ Long-term drift of response time: approx. 1s/a; depending on environmental conditions and sensor history.

²² Slightly reduced signal accuracy may be encountered in early phase, thereafter.

10.2 Warm-Up

Further to “Initial Start-up” the conditioning or “Warm-up” period is the time required to achieve adequate sensor stability before measuring VOCs after idle periods or power-off. Typically, the ENS160 requires 3 minutes of warm-up until reasonable air quality readings can be expected²³.

11 Gas sensor status and signal rating

The status flag is an additional feature assessing the current operational mode and the reliability of the output signals. It aids the application obligation to manage timings efficiently, in particular during initial start-up or after re-powering. Furthermore, a simple signal quality assessment and a system self-check is provided.

Table 10: ENS160 Status and Signal Rating (Validity Flag)

Flag	Meaning	Implementation approach
0	Operating ok	Standard operating mode.
1	Warm-up	During first 3 minutes after power-on.
2	Initial Start-up	During first full hour of operation after initial power-on ²⁴ . Only once in the sensor's lifetime.
3	No valid output	Signals give unexpected values (very high or very low). Multiple sensors out of range.

See “Validity Flag” in section “[DEVICE_STATUS \(Address 0x20\)](#)” for further information.

12 Recommended sensor operation

For best performance, the sensor shall be operated in normal indoor air in the range -5 to 60 °C (typical: 25 °C); relative humidity: 20 to 80%RH (typical: 50%RH), non-condensing with no aggressive or poisonous gases present. Prolonged exposure to environments outside these conditions can affect performance and lifetime of the sensor.

Please also refer to the “ENS160 Design Guidelines and Handling Instructions” document for further information on handling and optimal integration of the ENS160. The guidelines outlined in this document shall be followed for optimal sensor performance and maximum lifetime.

²³ Values have been determined by tests in clean, partially synthetic air in a climate chamber-with stated environmental conditions, suitable reference analytics and sensor preconditioning of at least 24h, which may not reflect real-life environments. Unless otherwise noted, the accuracy statements have been carried out at 25 °C and 50% relative humidity.

²⁴ Note that the status will only be stored in the non-volatile memory *after* an initial 24h of continuous operation. If unpowered before conclusion of said period, the ENS160 will resume „Initial Start-up” mode after re-powering.

Important Note: The ENS160 is not designed for use in any safety-critical or life-protecting application.

13 Recommended sensor storage conditions

The guidelines under “[Recommended sensor operation](#)” also apply to sensor storage.

14 Host communication

The ENS160 is an I²C or SPI Slave device.

If the CS_n is held high, the interface behaves as an I²C slave. At power-up the condition of the MISO/ADDR pin is used to determine the LSB of the I²C address. The I²C slave address is 0x52 (MISO/ADDR low) or 0x53 (MISO/ADDR high).

If the CS_n pin is asserted (low) the interface behaves as an SPI slave. This condition is maintained until the next Power-on Reset.

Both the SPI and I²C slave interfaces use the same register map for communication.

14.1 I²C specification

14.1.1 I²C description

The ENS160 is an I²C slave device with a fixed 7-bit address 0x52 if the MISO/ADDR line is held low at power-up or 0x53 if the MISO/ADDR line is held high.

The I²C interface supports standard (100kbit/s), fast (400kbit/s), and fast plus (1Mbit/s) mode. Details on I²C protocol is according to I²C-bus specifications [UM10204, I²C-bus specification and user manual, Rev. 6, 4 April 2014].

The device applies all mandatory I²C protocol features for slaves: START, STOP, Acknowledge and 7-bit slave address. None of the other optional features (10-bit slave address, general call, software reset or Device ID) are supported, nor are the master features (Synchronization, Arbitration, START byte).

The Host System, as an I²C master, can directly read or write values to one of the registers by first sending the single byte register address. The ENS160 implements “auto increment” which means that it is possible to read or write multiple bytes (e.g. read multiple DATA_X bytes) in a single transaction.

14.1.2 I2C I/O and timing information

Table 11: ENS160 I²C I/O parameters

Parameter	Symbol	Standard		Fast		Fast Mode Plus		Unit
		Min	Max	Min	Max	Min	Max	
Low level input voltage	V _{IL}	-0.5	0.3xV _{DDIO}	-0.5	0.3xV _{DDIO}	-0.5	0.3xV _{DDIO}	V
High level input voltage	V _{IH}	0.7xV _{DDIO}	2.39	0.7xV _{DDIO}	2.39	0.7xV _{DDIO}	2.39	V
Hysteresis of Schmitt trigger inputs	V _{hys}	-	-	0.05xV _{DDIO}	-	0.05xV _{DDIO}	-	V
Low-level output voltage @ 2mA sink current	V _{OL2}	-	-	0	0.2xV _{DDIO}	0	0.2xV _{DDIO}	V
Low-level output current @ 0.4V	I _{OL}	3		3		20		mA
Output fall time from V _{IHmin} to V _{ILmax}	t _{oF}		250	20xV _{DDIO} /5.5	250	20xV _{DDIO} /5.5	250	ns
Input current each I/O pin	I _i	-10	10	-10	10	-10	10	μA

Table 12: ENS160 I²C timing parameters²⁵

Parameter	Symbol	Standard		Fast		Fast Mode Plus		Unit
		Min	Max	Min	Max	Min	Max	
SCLK clock frequency	f _{SCLK}	0	100	0	400	0	1000	kHz
Hold time (repeated) START condition. After this period, the first clock pulse is generated	t _{HD_STA}	4	-	0.6	-	0.26	-	μs
LOW period of the SCLK clock	t _{LOW}	4.7	-	1.3	-	0.5	-	μs
HIGH period of the SCLK clock	t _{HIGH}	4.0	-	0.6	-	0.26	-	μs
Set-up time for a repeated START condition	t _{SU_STA}	4.7	-	0.6	-	0.26	-	μs
Data set-up time	t _{SU_DAT}	250	-	100 ²⁶	-	50 ²	-	ns

²⁵ All values referred to V_{IHmin} and V_{ILmax} levels.

²⁶ A fast mode I²C bus device can be used in Standard mode I²C bus systems, but the requirement t_{SU_DAT} ≥ 250ns must then be met. This will automatically be the case if the device does not stretch the LOW period of

Data hold-time	t_{HD_DAT}	0 ²⁷	3.45 ²⁸	0 ³	0.9 ⁴	0 ³	-	μs
Rise time of SDA and SCLK signals	t_r	-	1000	20	300	20	120	ns
Fall time of SDA and SCLK signals	t_f	-	300	$20 \times V_{DDIO} / 5.5$	300	$20 \times V_{DDIO} / 5.5$	120	ns
Set-up time for STOP condition	t_{SU_STO}	4.0	-	0.6	-	0.26	-	μs
Bus free time between a STOP and START condition	t_{BUF}	4.7	-	1.3	-	0.5	-	μs
Capacitive load for each bus line	C_b	-	400	-	400	-	550	pF
Noise margin at the LOW level	V_{nL}	$0.1 \times V_{DDIO}$	-	$0.1 \times V_{DDIO}$	-	$0.1 \times V_{DDIO}$	-	V
Noise margin at the HIGH level	V_{nH}	$0.2 \times V_{DDIO}$	-	$0.2 \times V_{DDIO}$	-	$0.2 \times V_{DDIO}$	-	V

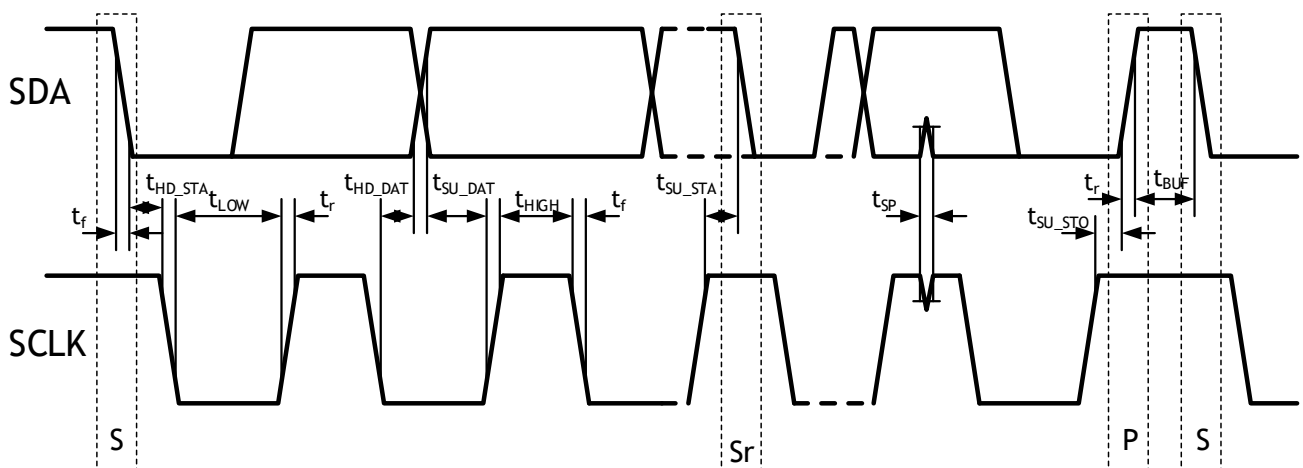


Figure 7: Definition of I²C timing parameters

the SCL signal. If such a device does stretch the LOW period of the SCL signal, it must output the next data bit to the SDA line t_{rmax} . $t_{SU_DAT} = 1000 + 250 = 1250ns$ (according to standard mode I²C bus specification) before the SCL line is released.

²⁷ This device internally provides a hold time of at least 300ns for the SDA signal to bridge the undefined region of the falling edge of the SCL.

²⁸ The maximum t_{HD_DAT} has only to be met if the device does not stretch the LOW period (t_{LOW}) of the SCLK signal.

14.1.3 I²C read operation

After the START condition, in the first transaction:

- The I²C Master sends the 7-bit slave address and 0 into the R/W bit (the byte sent would be 0xA4 or 0xA6 dependent on the power-up value of MISO/ADDR).
- The I²C Master then sends the address of the first register to read.

Then either after a RESTART condition (i.e. STOP followed by START)

- The I²C Master sends the 7-bit slave address and 1 into the R/W bit (the byte sent would be 0xA5 or 0xA7 dependent on the power-up value of MISO/ADDR).
- The I²C Master then reads 1-n data bytes from sequential registers (if valid) until the transaction is concluded with a STOP condition.

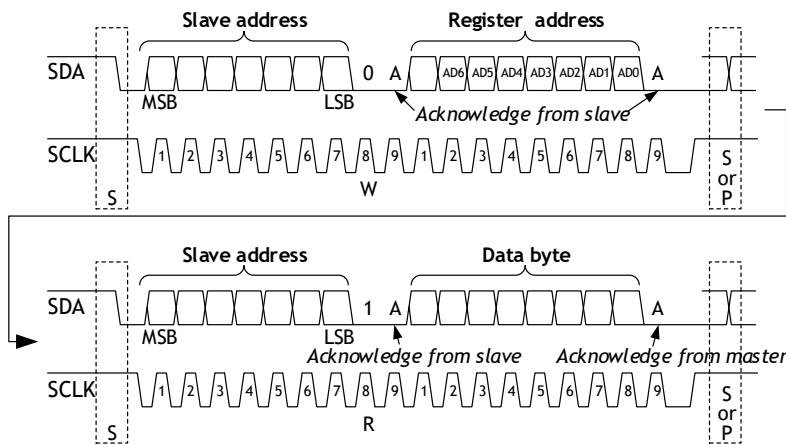


Figure 8: I²C Read operation

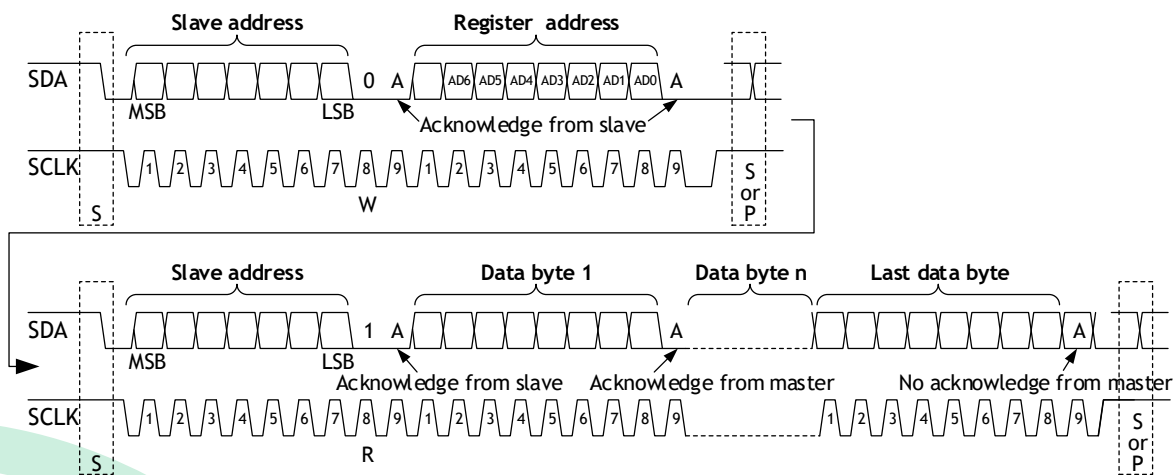


Figure 9: I²C Auto-increment read operation

14.1.4 I2C write operation

After the START condition, in a single continuous transaction:

- The I²C Master sends the 7-bit slave address and 0 into the R/W bit (the byte sent would be 0xA4 or 0xA6 dependent on the power-up value of MISO/ADDR).
- The I²C Master then sends the address of the first register to write.
- The I²C Master then sends 1-n data bytes which are written into sequential registers (if valid) until the transaction is concluded with a STOP condition.

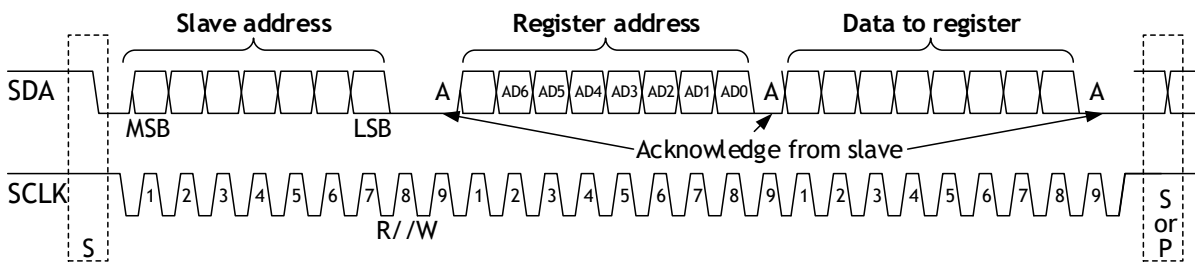


Figure 10: I2C Write operation

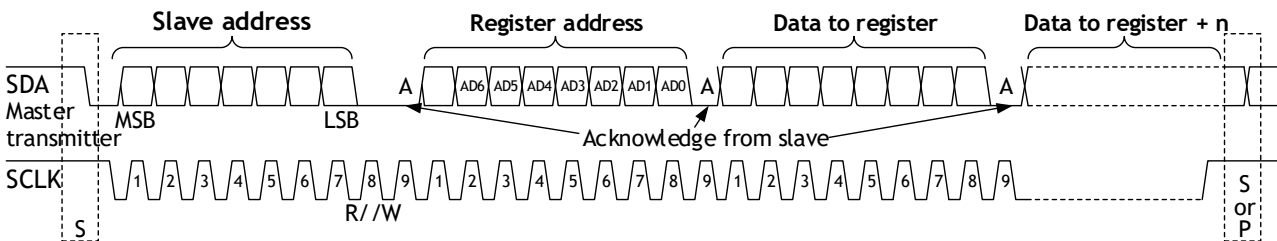


Figure 11: I²C Auto-increment write operation

14.2 SPI specification

14.2.1 SPI description

The SPI interface is a slave bus operating up to 10 MHz clock-frequency.

It shares pins with the I²C interface. SPI is selected and SPI transfer initiated by asserting the CSn line low. Once the CSn line has been asserted low the ENS160 will not accept I²C transactions until the next Power-On Reset.

Data is clocked in on the rising edge of SCLK; most significant bit first.

14.2.2 SPI timing information

Table 13: SPI Timings

Parameter	Symbol	Condition	Min	Typ	Max	Unit
SPI Clock (SCLK) Frequency	F _{SCLK}				10	MHz
CSn falling to MISO Enabled	T _{EN}	25pF load			20	ns
CSn rising to MISO Disable	T _{DIS}	25pF load			20	ns
MOSI Setup Time before SCLK	T _{SUPI}		15			ns
MOSI hold time after rising SCLK	T _{HLDI}		15			ns
CSn low to first rising SCLK	T _{LEAD}		20			ns
Last SCLK low to CSn high	T _{LAG}		20			ns
SCLK High Time	T _{SCLKH}		40			ns
SCLK Low Time	T _{SCLKL}		40			ns
SCLK falling to MISO Valid	T _{VALID}	25pF load			40	ns

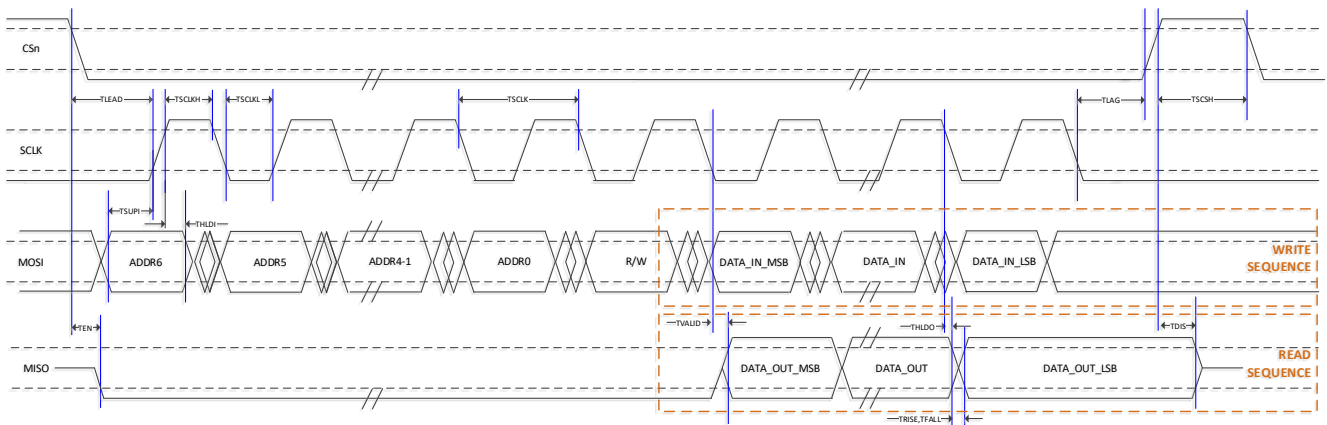


Figure 12: SPI Timings Reference

14.2.3 SPI read operation

During a Read operation, data is clocked out on the falling edge of SCLK so it is stable for the following rising edge.

MISO stays in high impedance mode until the device is selected (CSn low). Data on MISO is only valid on a Read operation.

A transaction starts with the target address and R/W control bit in the first byte followed by the read or write data.

In a Read operation Auto-increment of the address enables multiple registers to be read in sequence. CSn de-asserting (to high) terminates the Read sequence.

A Read SPI frame is composed as follows:

Table 14: Read SPI frame

Byte	Bit	Name	Description
0	7:1	AD[6:0]	On MOSI: Address of the register to Read
0	0	RW	On MOSI: 1: bytes are to be read, starting from AD[6:0].
1	7:0	RDATA[7:0]	Output on MISO; MOSI ignored
n	7:0	RDATA[7:0]	Output on MISO; MOSI ignored

14.2.4 SPI write operation

In a Write operation, the address does not Auto-increment. Multiple writes can be performed by alternating Address and Data bytes. CSn de-asserting (to high) terminates the Write sequence.

A Write SPI frame is composed as follows:

Table 15: Write SPI frame

Byte	Bit	Name	Description
0	7:1	AD[6:0]	On MOSI: Address of the register to Write
0	0	RW	On MOSI: 0: bytes are to be written at AD[6:0].
1	7:0	WDATA[7:0]	Input on MOSI; MISO Dummy Data
even	7:1	AD[6:0]	On MOSI: Address of the register to Write
even	0	RW	On MOSI: 0: bytes are to be Written, at AD[6:0].
odd	7:0	WDATA[7:0]	Input on MOSI; MISO Dummy Data

15 Operation

The ENS160 state diagram is depicted in [Figure 13](#). At power-up, the ENS160 configures itself from a reset state and prepares for commands over the serial bus via either I²C or SPI Protocols.

The default state is OPMODE 0x01, which is an IDLE condition that enables ENS160 so that it may respond to several commands. In this mode it is not operating as a gas sensor.

OPMODE 0x00 is a very low power standby state, called DEEP SLEEP.

Active OPMODEs are described further in the OPMODE Register section.

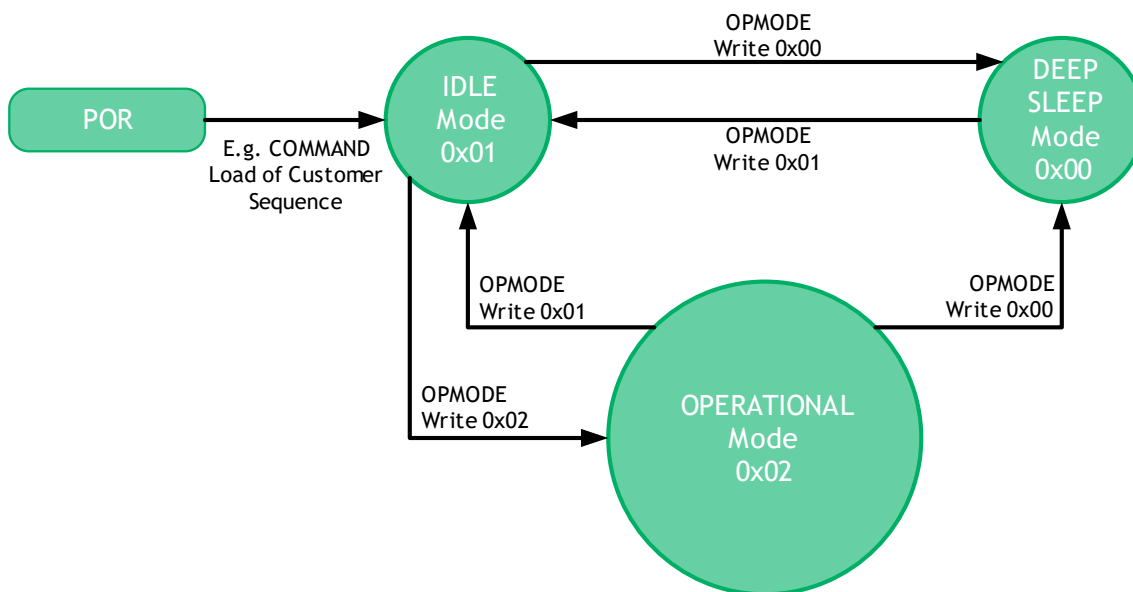


Figure 13: ENS160 state diagram

Note: When the active gas sensing OPMODE (e.g. 0x02 = STANDARD) is running, new data is notified either via the interrupt (INTn) or by polling the DEVICE_STATUS register. The output of the gas sensing OPMODEs are presented in the DATA_XXX registers which can be read at any time.

16 Registers

This section describes the registers of the ENS160 which enable the host system to

- Identify the Device and version information
- Configure the ENS160 and set the operating mode
- Read back STATUS information, the calculated gas concentrations and Air Quality Index

16.1 Register overview

Note that some registers are spread over multiple addresses. For example, PART_ID at address 0 is spread over 2 addresses (its “Size” is 2). Registers are stored in little endian so the LSB of PART_ID is at address 0 and the MSB of PART_ID is at address 1.

Table 16: Register Overview

Address	Name	Size	Access	Description
0x00	PART_ID	2	Read	Device Identity 0x01, 0x60
0x10	OPMODE	1	Read / Write	Operating Mode
0x11	CONFIG	1	Read / Write	Interrupt Pin Configuration
0x12	COMMAND	1	Read / Write	Additional System Commands
0x13	TEMP_IN	2	Read / Write	Host Ambient Temperature Information
0x15	RH_IN	2	Read / Write	Host Relative Humidity Information
0x17 – 0x1F	-	1	-	Reserved
0x20	DEVICE_STATUS	1	Read	Operating Mode
0x21	DATA_AQI	1	Read	Air Quality Index
0x22	DATA_TVOC	2	Read	TVOC Concentration (ppb)
0x24	DATA_ECO2	2	Read	Equivalent CO ₂ Concentration (ppm)
0x26	-	2	-	Reserved
0x28	-	2	-	Reserved
0x2A	-	2	Read	Reserved
0x2C – 0x2F	-	1	-	Reserved
0x30	DATA_T	2	Read	Temperature used in calculations
0x32	DATA_RH	2	Read	Relative Humidity used in calculations
0x34 – 0x37	-	1	-	Reserved
0x38	DATA_MISR	1	Read	Data Integrity Field (optional)
0x40	GPR_WRITE[0:7]	8	Read/Write	General Purpose Write Registers
0x48	GPR_READ[0:7]	8	Read	General Purpose Read Registers

16.2 Detailed register description

16.2.1 PART_ID (Address 0x00)

This 2-byte register contains the part number in little endian of the ENS160.

The value is available when the ENS160 is initialized after power-up.

Table 17: Register PART_ID

Address 0x00		PART_ID		
Bits	Field Name	Default	Access	Field Description
0:7	PART_ID_LSB	0x60	read	Lower Byte of Part ID
8:15	PART_ID_MSB	0x01	read	Upper Byte of Part ID

16.2.2 OPMODE (Address 0x10)

This 1-byte register sets the Operating Mode of the ENS160. The Host System can write a new OPMODE at any time.

Any current operating mode will terminate, and the new operating mode will start.

Table 18: Register OPMODE

Address 0x10		OPMODE		
Bits	Field Name	Default	Access	Field Description
7:0		0x00	R/W	Operating mode: 0x00: DEEP SLEEP mode (low-power standby) 0x01: IDLE mode (low power) 0x02: STANDARD Gas Sensing Mode 0xF0: RESET

In DEEP SLEEP mode, ENS160 has limited functionality but will respond to an OPMODE write.

Idle Mode is intended for configuration before running an active sensing mode.

0x02 (STANDARD) is an active gas sensing operating mode to indicate the levels of air quality or for specific gas detection.

16.2.3 CONFIG (Address 0x11)

This 1-byte register configures the action of the INTn pin which allows the ENS160 to signal to the host system that data is available.

The INTn pin can be (de-)asserted (polarity configurable) when ENS160 updates GPR_Read registers, or when it updates DATA registers, or when a certain threshold is reached (set through COMMAND mode).

A typical setting 0x23 would enable an active low interrupt (no pull-up required) when new output data is available in the DATA registers.

Table 19: Register CONFIG

Address 0x11		CONFIG		
Bits	Field Name	Default	Access	Field Description
7	-	0b0	-	Reserved
6	INTPOL	0b0	R/W	INTn pin polarity: 0: Active low (Default) 1: Active high
5	INT_CFG	0b0	R/W	INTn pin drive: 0: Open drain 1: Push / Pull
4	-	0b0	-	Reserved
3	INTGPR	0b0	R/W	INTn pin asserted when new data is presented in the General Purpose Read Registers
2	-	0b0	-	Reserved
1	INTDAT	0b0	R/W	INTn pin asserted when new data is presented in the DATA_XXX Registers
0	INTEN	0b0	R/W	INTn pin is enabled for the functions above

16.2.4 COMMAND (Address 0x12)

This 1-byte register allows some additional commands to be executed on the ENS160. This register can be written at any time, but commands will only be actioned in IDLE mode (OPMODE 0x01).

The COMMAND register allows multiple interactions with the system where data needs to be passed between the user/host and the ENS160.

Typically, a request for data (e.g. GetHWVer, GetFWVer) will result in the requested data being placed in the General Purpose READ Registers and an input of data (e.g. set alarm threshold) would first be stored in the General Purpose WRITE Registers at address 0x40-47.

Below is a list of valid commands for the ENS160.

Table 20: Register COMMAND

Address 0x12		COMMAND		
Bits	Field Name	Default	Access	Command
7:0	Command	0x00	R/W	0x00: ENS160_COMMAND_NOP 0x0E: ENS160_COMMAND_GET_APPVER – Get FW Version 0xCC: ENS160_COMMAND_CLRGPR Clears GPR Read Registers

16.2.4.1 ENS160_COMMAND_GET_APPVER

After issuing ENS160_COMMAND_GET_APPVER, the firmware version of the ENS160 will be placed in General Purpose Registers according to table 21. The NEWGPR bit in DEVICE_STATUS will be set and the INTn asserted if configured to react to NEWGPR.

Table 21: GPR_READ settings for ENS160_COMMAND_GET_APPVER command

Register	7	6	5	4	3	2	1	0
GPR_READ4	Version (Major)							
GPR_READ5	Version (Minor)							
GPR_READ6	Version (Release)							

16.2.4.2 ENS160_COMMAND_CLRGPR

After issuing ENS160_COMMAND_CLRGPR all GPR Read registers are cleared.

16.2.5 TEMP_IN (Address 0x13)

This 2-byte register allows the host system to write ambient temperature data to ENS160 for compensation. The register can be written at any time. TEMP_IN_LSB should be written first as the update is recognized on a write to TEMP_IN_MSB.

Table 22: Register TEMP_IN

Address 0x13		TEMP_IN		
Bits	Field Name	Default	Access	Field Description
0:7	TEMP_IN_LSB	0x00	R/W	Lower Byte of TEMP_IN
8:15	TEMP_IN_MSB	0x00	R/W	Upper Byte of TEMP_IN

The format of the temperature data is the same as the format used in the ENS21x (family of ScioSense temperature and humidity sensors) as shown below.

Table 23: Format of Temperature Data

Byte 0x14								Byte 0x13							
7	6	5	4	3	2	1	0	7	6	5	4	3	2	1	0
TEMP_IN Integer Part (Kelvin)								TEMP_IN Fractions							

The ENS160 required input format is: temperature in Kelvin * 64 (with Kelvin = Celsius + 273.15).

Example: For 25°C the input value is calculated as follows: $(25 + 273.15) * 64 = 0x4A8A$.

16.2.6 RH_IN (Address 0x15)

This 2-byte register allows the host system to write relative humidity data to ENS160 for compensation. The register can be written at any time. RH_IN_LSB should be written first as the update is recognized on a write to RH_IN_MSB.

Table 24: Register RH_IN

Address 0x15		RH_IN		
Bits	Field Name	Default	Access	Field Description
0:7	RH_IN_LSB	0x00	R/W	Lower Byte of RH_IN
8:15	RH_IN_MSB	0x00	R/W	Upper Byte of RH_IN

The format of the relative humidity data is the same as the format used in the ENS21x as shown below:

Table 25: Format of Relative Humidity Data

Byte 0x16								Byte 0x15							
7	6	5	4	3	2	1	0	7	6	5	4	3	2	1	0
RH_IN Integer Part (%)								RH_IN Fractions							

The ENS160 required input format is: relative humidity in %rH * 512.

Example: For 50% rH the input value is calculated as follows: $50 * 512 = 0x6400$.

16.2.7 DEVICE_STATUS (Address 0x20)

This 1-byte register indicates the current status of the ENS160.

Table 26: Register DEVICE_STATUS

Address 0x20		DEVICE_STATUS		
Bits	Field Name	Default	Access	Field Description
7	STATAS	0b0	-	High indicates that an OPMODE is running
6	STATER	0b0	R	High indicates that an error is detected. E.g. Invalid Operating Mode has been selected.
5	-	0b0	R	Reserved
4	-	0b0	R	Reserved
2-3	VALIDITY FLAG	0b00	R	Status 0: Normal operation 1: Warm-Up phase 2: Initial Start-Up phase 3: Invalid output
1	NEWDAT	0b0	R	High indicates that a new data is available in the DATA_x registers. Cleared automatically at first DATA_x read.
0	NEWGPR	0b0	R	High indicates that a new data is available in the GPR_READx registers. Cleared automatically at first GPR_READx read.

During operation, Bit 6 (STATER) of DEVICE_STATUS is asserted if an error has occurred.

The meaning of the errors may be different, depending on the operation being undertaken.

Further information regarding the error can be read from the GPR_READ registers.

16.2.8 DATA_AQI (Address 0x21)

This 1-byte register reports the calculated Air Quality Index according to the UBA.

Table 27: Register DATA_AQI

Address 0x21		DATA_AQI		
Bits	Field Name	Default	Access	Field Description
0:2	AQI_UBA	0x01	R	Air Quality Index according to UBA [1..5]
3:7	Reserved	0x00	R	Reserved

See section “AQI-UBA - UBA Air Quality Index” for further information.

16.2.9 DATA_TVOC (Address 0x22)

This 2-byte register reports the calculated TVOC concentration in ppb.

Table 28: Register DATA_TVOC

Address 0x22		DATA_TVOC		
Bits	Field Name	Default	Access	Field Description
0:7	TVOC_LSB	0x00	R	Lower Byte of DATA_TVOC
8:15	TVOC_MSB	0x00	R	Upper Byte of DATA_TVOC

See section “TVOC - Total Volatile Organic Compounds” for further information.

16.2.10 DATA_ECO2 (Address 0x24)

This 2-byte register reports the calculated equivalent CO₂-concentration in ppm, based on the detected VOCs and hydrogen.

Table 29: Register DATA_ECO2

Address 0x24		DATA_ECO2		
Bits	Field Name	Default	Access	Field Description
0:7	ECO2_LSB	0x00	R	Lower Byte of DATA_ECO2
8:15	ECO2_MSB	0x00	R	Upper Byte of DATA_ECO2

See section “eCO₂ - Equivalent CO₂” for further information.

16.2.11 DATA_ETOH (Address 0x22)

This 2-byte register reports the calculated ethanol concentration in ppb. For dual use the DATA_ETOH register is a virtual mirror of the ethanol-calibrated DATA_TVOC register.

Table 30: Register DATA_ETH

Address 0x22		DATA_ETOH		
Bits	Field Name	Default	Access	Field Description
0:7	ETH_LSB	0x00	R	Lower Byte of DATA_ETH
8:15	ETH_MSB	0x00	R	Upper Byte of DATA_ETH

16.2.12 DATA_T (Address 0x30)

This 2-byte register reports the temperature used in its calculations (taken from TEMP_IN, if supplied).

Table 31: Register DATA_T

Address 0x30		DATA_T		
Bits	Field Name	Default	Access	Field Description
0:7	DATA_T_LSB	0x8A	R	Lower Byte of DATA_T
8:15	DATA_T_MSB	0x4A	R	Upper Byte of DATA_T

The format of the temperature data is the same as the format used in the ENS21x.

Table 32: Format of temperature data

Byte 0x30								Byte 0x31							
7	6	5	4	3	2	1	0	7	6	5	4	3	2	1	0
TEMP_IN Integer Part (Kelvin)								TEMP_IN Fractions							

The DATA_T storage format is: temperature in Kelvin * 64 (with Kelvin = Celsius + 273.15).

Example: For a stored DATA_T value of 0x4A8A the temperature in °C is calculated as follows:
 $0x4A8A / 64 - 273.15 = 25^{\circ}\text{C}$.

See section “TEMP_IN (Address 0x13)” for further information.

16.2.13 DATA_RH (Address 0x32)

This 2-byte register reports the relative humidity used in its calculations (taken from RH_IN if supplied).

Table 33: Register DATA_RH

Address 0x32		DATA_RH		
Bits	Field Name	Default	Access	Field Description
0:7	DATA_RH_LSB	0x00	R	Lower Byte of DATA_RH
8:15	DATA_RH_MSB	0x64	R	Upper Byte of DATA_RH

The format of the relative humidity data is the same as the format used in the SciSense ENS21x product family.

Table 34: Format of relative humidity data

Byte 0x32								Byte 0x33							
7	6	5	4	3	2	1	0	7	6	5	4	3	2	1	0
RH_IN Integer Part (%)								RH_IN Fractions							

The DATA_RH storage format is: relative humidity in %rH * 512.

Example: For a stored DATA_RH value of 0x6400 the relative humidity in % is calculated as follows: 0x6400 / 512 = 50%rH.

See section “RH_IN (Address 0x15)” for further information.

16.2.14 DATA_MISR (Address 0x38)

This 1-byte register reports the calculated checksum of the previous DATA_* read transaction (of n-bytes). It can be read as a separate transaction, if required, to check the validity of the previous transaction. The value should be compared with the number calculated by the Host system on the incoming Data.

Table 35: Register DATA_MISR

Address 0x38		DATA_MISR		
Bits	Field Name	Default	Access	Field Description
0:7	DATA_MISR	0x00	R	Calculated checksum of the previous transaction

Example: C-code to calculate MISR on the received DATA, to compare with DATA_MISR:

```
// The polynomial used in the CRC computation in DATA_MISR
//                               76543210 bit weight factor
#define POLY 0x1D // 0b00011101 = x^8+x^4+x^3+x^2+x^0 (x^8 is implicit)
// The hardware register DATA_MISR is updated with every read from a
// register in the range 0x20 to 0x37, using a CRC polynomial (POLY).
// For every register read, call `mISR_update()` to keep the software
// variable `mISR` in sync with the hardware register.
static uint8_t mISR = 0; // Mirror of DATA_MISR (0 is hardware default)
uint8_t mISR_update(uint8_t data) {
    uint8_t mISR_xor= ( (mISR<<1) ^ data) & 0xFF;
    if( mISR&0x80==0 )
        mISR= mISR_xor;
    else
```

```

    misr= misr_xor ^ POLY;
}
// Typically, when an I2C/SPI transaction is completed, read DATA_MISR,
// and compare it with the software `misr`. They should equal. If not
// there is a CRC error: one or more bytes were corrupted in the transfer.
uint8_t misr_set(void) {
    return misr;
}
// Once the CRC is wrong, or transactions have been executed without
// calling update() the software `misr` is out of sync with DATA_MISR.
// Read DATA_MISR and call `misr_set()` to bring back in sync.
void misr_set(uint8_t * val) {
    misr= val;
}

```

16.2.15 GPR_WRITE (Address 0x40)

This 8-byte register is used by several functions for the Host System to pass data to the ENS160. Writes to these registers are not valid when the ENS160 is in DEEP SLEEP or during a low power portion of an operating mode. Writes should only be done during IDLE mode (OPMODE 0x01).

Table 36: Register GPR_WRITE

Address 0x40			GPR_WRITE0-7		
Address	Bits	Field Name	Default	Access	Field Description
0x40	0:7	GPR_WRITE0	0x00	R/W	General Purpose WRITE Register 0
0x41	0:7	GPR_WRITE1	0x00	R/W	General Purpose WRITE Register 1
0x42	0:7	GPR_WRITE2	0x00	R/W	General Purpose WRITE Register 2
0x43	0:7	GPR_WRITE3	0x00	R/W	General Purpose WRITE Register 3
0x44	0:7	GPR_WRITE4	0x00	R/W	General Purpose WRITE Register 4
0x45	0:7	GPR_WRITE5	0x00	R/W	General Purpose WRITE Register 5
0x46	0:7	GPR_WRITE6	0x00	R/W	General Purpose WRITE Register 6
0x47	0:7	GPR_WRITE7	0x00	R/W	General Purpose WRITE Register 7

16.2.16 GPR_READ (Address 0x48)

This 8-byte register is used by several functions for the ENS160 to pass data to the Host System. When New GPR_DATA is available the NEW_GPR bit of the DEVICE_STATUS register will be set and the INTn pin asserted (if configured).

Table 37: Register GPR_READ

Address 0x48			GPR_READ0-7		
Address	Bits	Field Name	Default	Access	Field Description
0x48	0:7	GPR_READ0	0x00	R	General Purpose READ Register 0
0x49	0:7	GPR_READ1	0x00	R	General Purpose READ Register 1
0x4A	0:7	GPR_READ2	0x00	R	General Purpose READ Register 2
0x4B	0:7	GPR_READ3	0x00	R	General Purpose READ Register 3
0x4C	0:7	GPR_READ4	0x00	R	General Purpose READ Register 4
0x4D	0:7	GPR_READ5	0x00	R	General Purpose READ Register 5
0x4E	0:7	GPR_READ6	0x00	R	General Purpose READ Register 6
0x4F	0:7	GPR_READ7	0x00	R	General Purpose READ Register 7

17 Application information

17.1 I2C operation circuitry

The recommended application circuit for the ENS160 I²C interface operation is shown in [Figure 14](#).

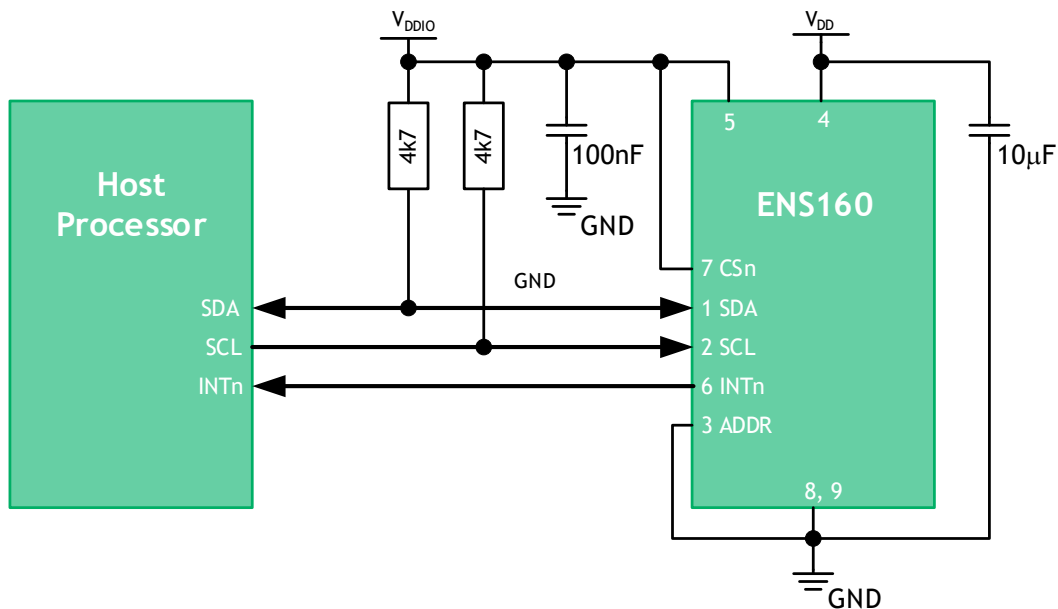


Figure 14: Recommended application circuit (I²C operation)

Note(s):

1. The minimum supply voltage V_{DD} is 1.71V and must not drop below this value for reliable device operation. Decoupling capacitors must be placed close to the V_{DD} (Pin 4) and V_{DDIO} (Pin 5) supply pins of the ENS160.
2. CSn must be pulled high (directly to V_{DDIO}) to ensure I²C interface is selected.
3. MISO/ADDR should be pulled low or high to specify the LSB of the address.
4. Pull-up resistors.

The above recommendation for pull-up resistance values applies to I²C standard mode only. Pull-up resistors for SCL and SDA are assumed to be part of the host system and should be selected dependent on the intended I²C data rate and individual bus architecture.

17.2 SPI operation circuitry

The recommended application circuit for the ENS160 for SPI interface is shown in [Figure 15](#).

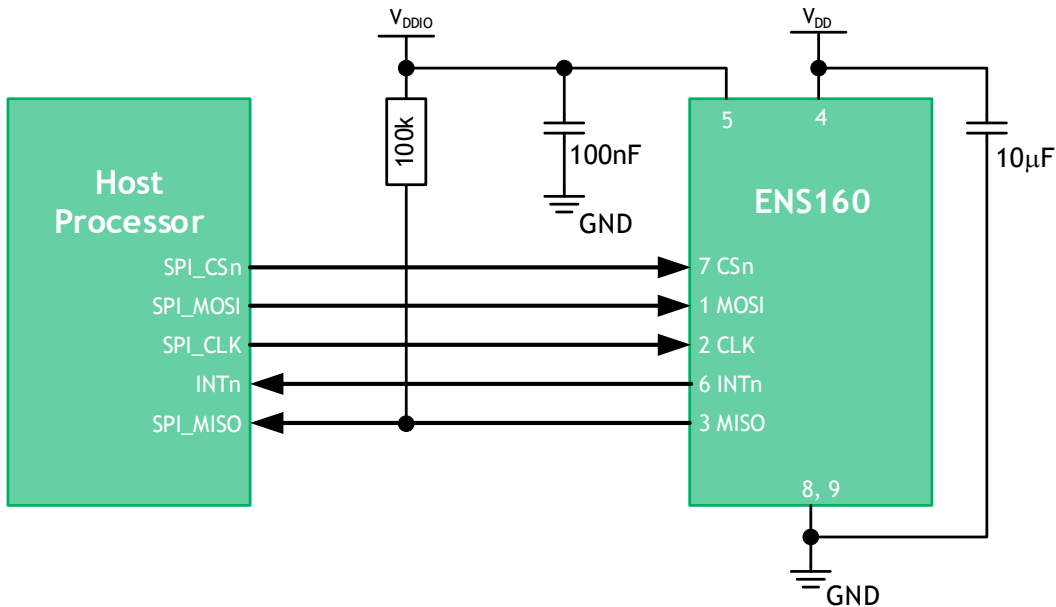


Figure 15: Recommended application circuit (SPI operation)

Note(s):

1. The minimum supply voltage V_{DD} is 1.71V and must not drop below this value for reliable device operation. Decoupling capacitors must be placed close to the V_{DD} (Pin 4) and V_{DDIO} (Pin 5) supply pins of the ENS160.
2. Weak pull-up resistor may be required for MISO to define the level when tri-stated.
3. Decoupling capacitors must be placed close to the V_{DD} (Pin 4) and V_{DDIO} (Pin 5) supply pins of the ENS160.

18 Soldering information

The ENS160 uses an open LGA package. This package can be soldered using a standard reflow process in accordance with IPC/JEDEC J-STD-020D (Figure 16).

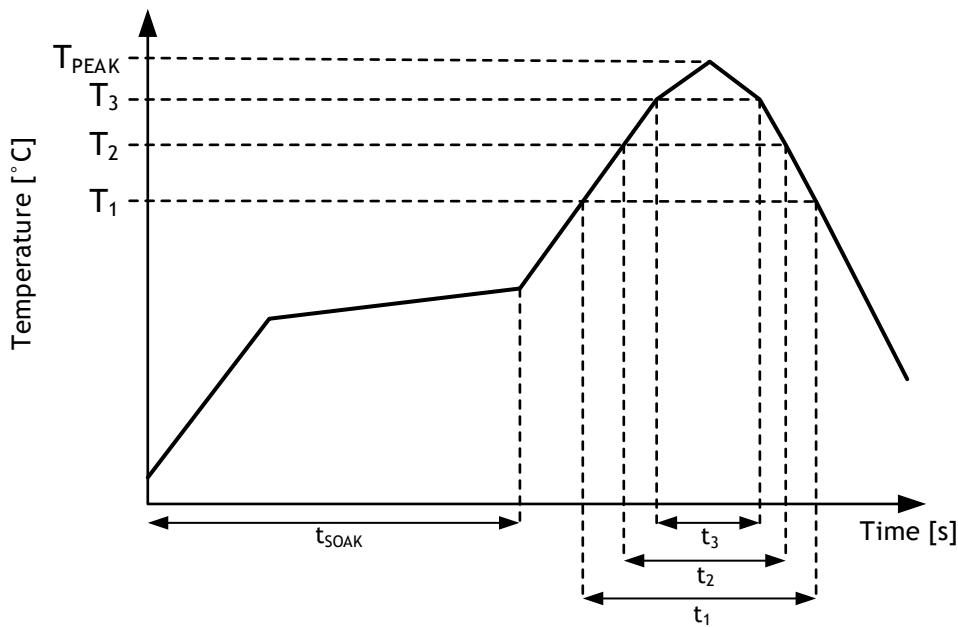


Figure 16: Solder reflow profile graph

The detailed settings for the reflow profile are shown in Table 38.

Table 38: Solder Reflow Profile

Parameter	Reference	Rate / Unit
Average temperature gradient in preheating		2.5K/s
Soak time	t_{SOAK}	2..3 min
Soak temp range	T_s max	200°C
	T_s min	150°C
Time above 217°C (T1)	t_1	Max. 60s
Time above 230°C (T2)	t_2	Max. 50s
Time above $T_{PEAK} - 10^\circ\text{C}$ (T3)	t_3	Max. 10s
Peak temperature in reflow	T_{PEAK}	260°C
Temperature gradient in cooling		Max. -5K/s

It is recommended to use a no-clean solder paste. There should not be any board wash processes, to prevent cleaning agents or other liquid materials contacting the sensor area.

19 Package drawings & markings

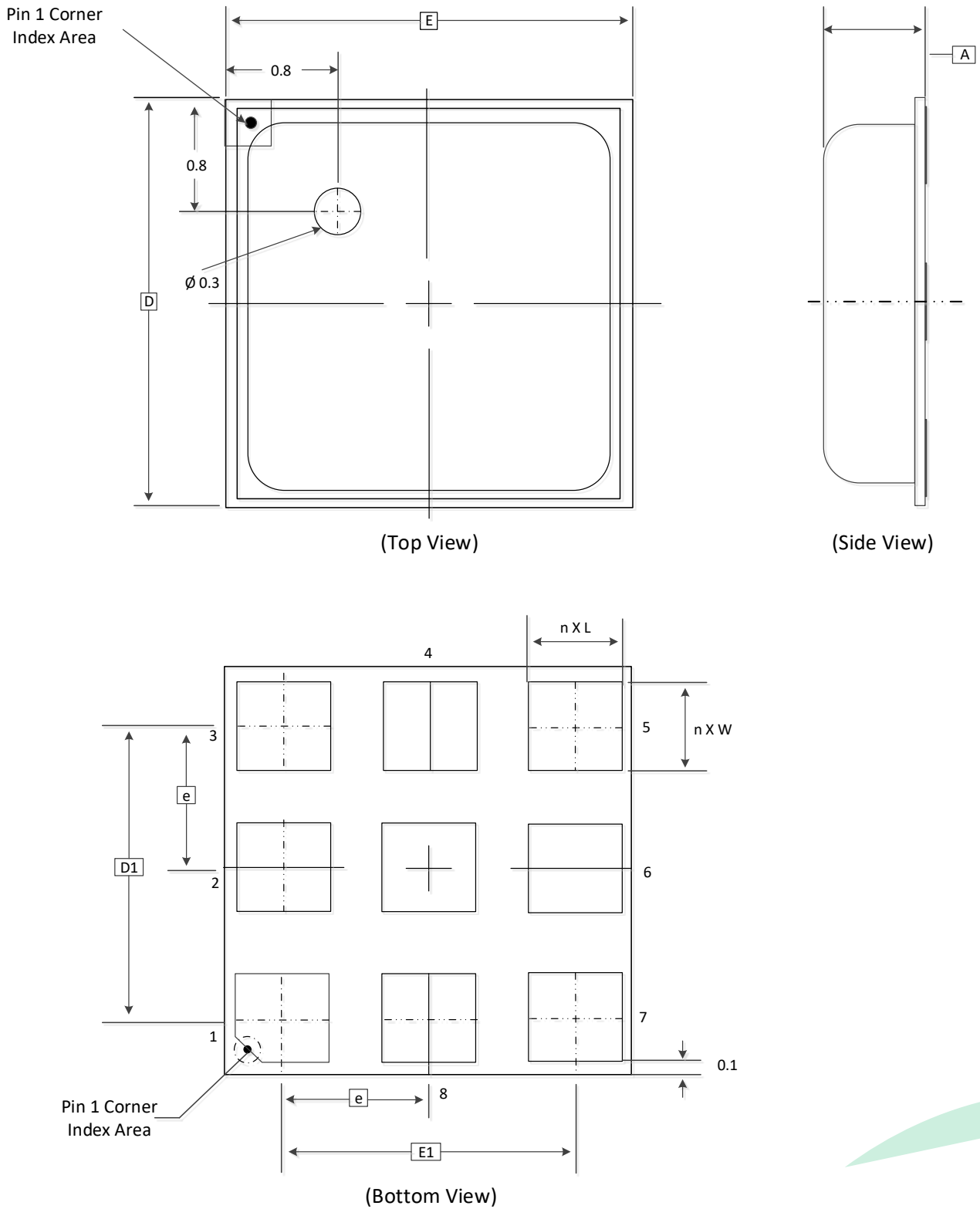


Figure 17: LGA package drawing

Table 39: LGA package dimensions

Parameter	Symbol	Dimensions		
		Min	Nominal	Max
Total thickness	A	-	0.83	0.9
Body Size	D		3.0	BSC
	E		3.0	BSC
Lead Width	W	0.65	0.7	0.75
Lead Length	L	0.65	0.7	0.75
Lead Pitch	e		1.05	BSC
Lead Count	n		9	
Edge Lead Centre to Centre	D1		2.1	BSC
	E1		2.1	BSC

Note: All dimensions are in mm

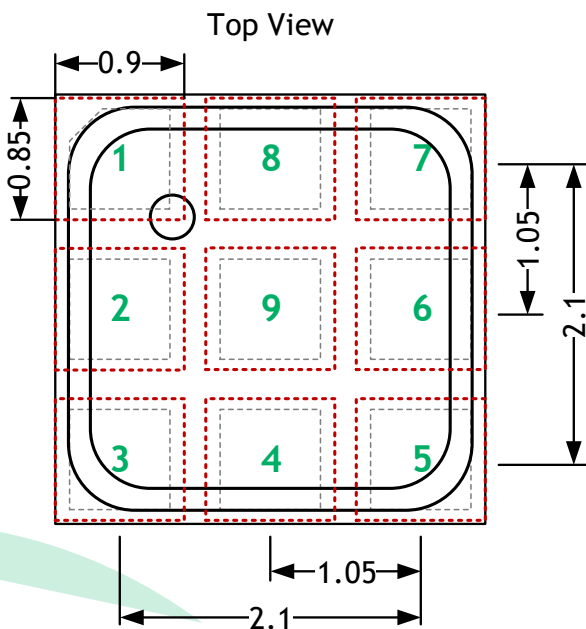


Figure 18: Recommend LGA Land Pattern for ENS160

Note(s):

1. All dimensions are in millimeters.

2. PCB land pattern are shown as red dotted lines.
3. Add 0.05mm all around the nominal lead width and length for the PCB land pattern.

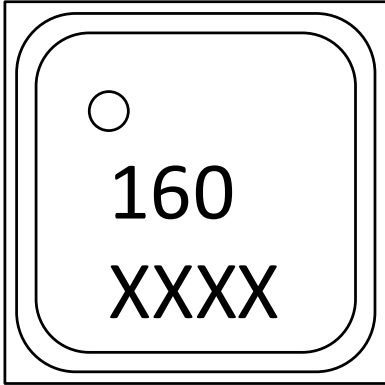


Figure 19: LGA package marking

20 Ordering information

Table 40: Ordering information

Ordering Code	Material ID	Package	Delivery Form	Delivery Quantity
ENS160-BGLM	507870026	9-pin LGA	Tape & reel	500 pcs
ENS160-BGLT	507870029	9-pin LGA	Tape & reel	1,500 pcs
ENS160-BGLR	507870030	9-pin LGA	Tape & reel	5,000 pcs
ENS160-LG_EK_ST V1	507870028	PCB	box	1 pc

21 RoHS Compliance & SciSense Green Statement

RoHS: The term RoHS compliant means that Sciosense B.V. products fully comply with current RoHS directives. Our semiconductor products do not contain any chemicals for all 6 substance categories, including the requirement that lead does not exceed 0.1% by weight in homogeneous materials. Where designed to be soldered at high temperatures, RoHS compliant products are suitable for use in specified lead-free processes.

SciSense Green (RoHS compliant and no Sb/Br): SciSense Green defines that in addition to RoHS compliance, our products are free of Bromine (Br) and Antimony (Sb) based flame retardants (Br or Sb do not exceed 0.1% by weight in homogeneous material).

Important Information: The information provided in this statement represents Sciosense B.V. knowledge and belief as of the date that it is provided. Sciosense B.V. bases its knowledge and belief on information provided by third parties and makes no representation or warranty as to the accuracy of such information. Efforts are underway to better integrate information from third parties. Sciosense B.V. has taken and continues to take reasonable steps to provide representative and accurate information but may not have conducted destructive testing or chemical analysis on incoming materials and chemicals. Sciosense B.V. and Sciosense B.V. suppliers consider certain information to be proprietary, and thus CAS numbers and other limited information may not be available for release.

22 Copyrights & Disclaimer

Copyright **Sciosense B.V High Tech Campus 10, 5656 AE Eindhoven, The Netherlands**. Trademarks Registered. All rights reserved. The material herein may not be reproduced, adapted, merged, translated, stored, or used without the prior written consent of the copyright owner.

Devices sold by Sciosense B.V. are covered by the warranty and patent indemnification provisions appearing in its General Terms of Trade. Sciosense B.V. makes no warranty, express, statutory, implied, or by description regarding the information set forth herein. Sciosense B.V. reserves the right to change specifications and prices at any time and without notice. Therefore, prior to designing this product into a system, it is necessary to check with Sciosense B.V. for current information. This product is intended for use in commercial applications. Applications requiring extended temperature range, unusual environmental requirements, or high reliability applications, such as military, medical life-support or life-sustaining equipment are specifically not recommended without additional processing by Sciosense B.V. for each application. This product is provided by Sciosense B.V. "AS IS" and any express or implied warranties, including, but not limited to the implied warranties of merchantability and fitness for a particular purpose are disclaimed.

Sciosense B.V. shall not be liable to recipient or any third party for any damages, including but not limited to personal injury, property damage, loss of profits, loss of use, interruption of business or indirect, special, incidental or consequential damages, of any kind, in connection with or arising out of the furnishing, performance or use of the technical data herein. No obligation or liability to recipient or any third party shall arise or flow out of Sciosense B.V. rendering of technical or other services.

23 Document status

Table 41: Document status

Document Status	Product Status	Definition
Product Preview	Pre-Development	Information in this datasheet is based on product ideas in the planning phase of development. All specifications are design goals without any warranty and are subject to change without notice.
Preliminary Datasheet	Pre-Production	Information in this datasheet is based on products in the design, validation or qualification phase of development. The performance and parameters shown in this document are preliminary without any warranty and are subject to change without notice.
Datasheet	Production	Information in this datasheet is based on products in ramp-up to full production or full production which conform to specifications in accordance with the terms of SciSense B.V. standard warranty as given in the General Terms of Trade.
Datasheet (Discontinued)	Discontinued	Information in this datasheet is based on products which conform to specifications in accordance with the terms of SciSense B.V. standard warranty as given in the General Terms of Trade, but these products have been superseded and should not be used for new designs.

24 Revision information

Table 42: Revision history

Revision	Date	Comment	Page
1.1	2022-03-30	Rename DATA_STATUS to DEVICE_STATUS. Note on min. supply voltage Correct current consumption	29, 30 7, 36, 37 7
1.0	2021-10-20	Official release	All
0.95	2020-12-09	Preliminary Version – Product Launch	All
0.9	2019-12-11	Initial Preliminary Version	All

Note(s) and/or Footnote(s):

1. Page and figure numbers for the previous version may differ from page and figure numbers in the current revision.
2. Correction of typographical errors is not explicitly mentioned.

SciSense is a Joint Venture of ams AG

Address: Sciosense B.V.
High Tech Campus 10
5656 AE Eindhoven
The Netherlands

Contact: www.sciosense.com
info@sciosense.com